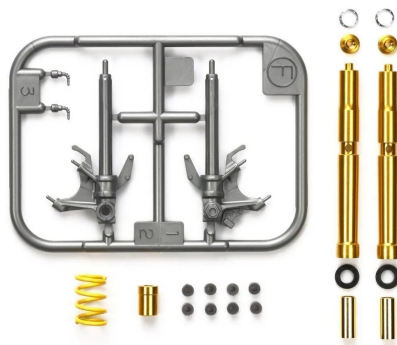


Item no.: 390646

300012684 - 1:12 fork set Yamaha YZF-R1M 14133

from **21,57 EUR**

Item no.: 390646
shipping weight: 0.10 kg
Manufacturer: TAMIYA



Product Description

Kit model, scale 1:12, Anodised aluminium dip tube and compensation holder, assembly material, instructions, suitable for 300014133. Product details- Detailed model kit on a scale of 1:12- The high-quality kit from TAMIYA must be assembled by yourself.- The independent assembly is accompanied by step-by-step and illustrated assembly instructions. The assembly instructions are of course included in the scope of delivery.- Based on the assembly instructions, the precisely fitting individual parts must be assembled. The parts can be painted according to own ideas.- Tools, glue and paint are not included in the scope of delivery of the plastic kit. These must be purchased optionally.

Specifications

Scan this QR code to
view the product
All details, up-to-date
prices and availability

